

Radiator

Free standing Oxford 710↓ x 770↔ LP, colour: metal alive

Valves and accessories

Angled thermostatic regulating valve set Artistic, anthracite

Pipe cover and shroud set – 160 mm, anthracite,

Oxford



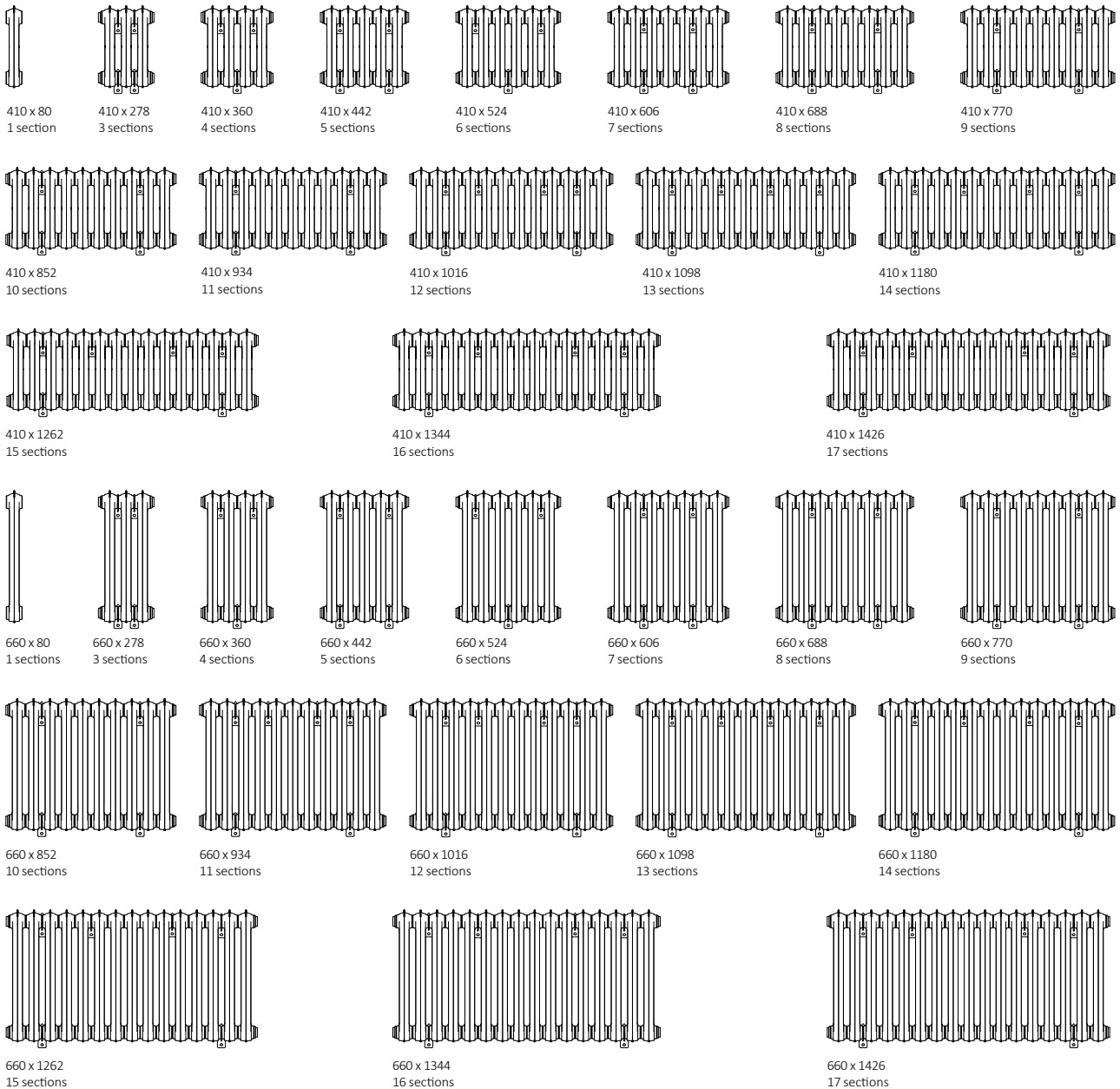


Standard connections:



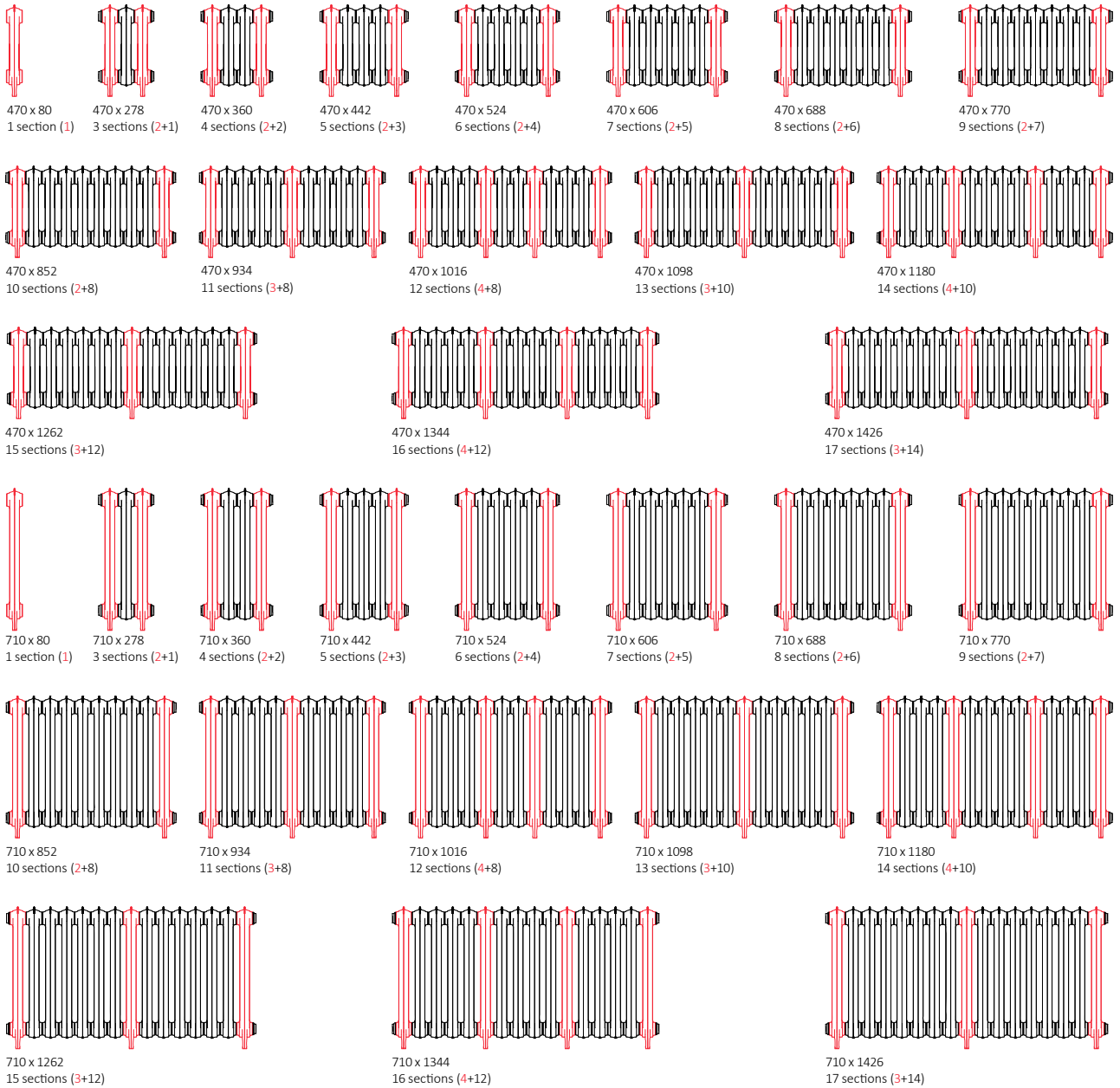
Available sizes:

Wall mounted





Free standing





Specifications:

Working pressure: 1000 kPa Maximum operating temperature: 95°C

A ↓ [mm]	B ↔ [mm]	C [mm]	75/65/20°C [W]	55/45/20°C [W]	D [mm]	D1 [mm]	D2 [mm]	H [dm³]	[kg]	Product code <small>(Configuration code p. 8)</small>
Wall mounted										
410	80	297	86	44	—	—	—	1,65	8,10	WGOXB041008
410	278	297	257	133	82	98	—	4,95	24,70	WGOXB041027
410	360	297	343	177	—	98	—	6,60	33,00	WGOXB041036
410	442	297	429	222	246	98	—	8,25	41,30	WGOXB041044
410	524	297	515	266	—	98	—	9,90	49,60	WGOXB041052
410	606	297	601	310	246	180	—	11,55	57,90	WGOXB041060
410	688	297	686	355	—	180	—	13,20	66,20	WGOXB041068
410	770	297	772	399	410	180	—	14,85	74,50	WGOXB041077
410	852	297	858	443	492	180	—	16,50	82,80	WGOXB041085
410	934	297	944	488	574	180	—	18,15	91,10	WGOXB041093
410	1016	297	1030	532	656	180	164	19,80	99,40	WGOXB041101
410	1098	297	1115	577	738	180	164	21,45	107,70	WGOXB041109
410	1180	297	1201	621	820	180	246	23,10	116,00	WGOXB041118
410	1262	297	1287	665	902	180	246	24,75	124,30	WGOXB041126
410	1344	297	1373	710	984	180	246	26,40	132,60	WGOXB041134
410	1426	297	1459	754	1066	180	246	28,05	140,90	WGOXB041142
660	80	555	143	76	—	—	—	2,25	14,70	WGOXB066008
660	278	555	429	227	82	98	—	6,75	44,50	WGOXB066027
660	360	555	572	303	—	98	—	9,00	59,40	WGOXB066036
660	442	555	715	379	246	98	—	11,25	74,30	WGOXB066044
660	524	555	858	454	—	98	—	13,50	89,20	WGOXB066052
660	606	555	1001	530	246	180	—	15,75	104,10	WGOXB066060
660	688	555	1144	606	328	180	—	18,00	119,00	WGOXB066068
660	770	555	1287	682	410	180	—	20,25	133,90	WGOXB066077
660	852	555	1430	757	492	180	—	22,50	148,80	WGOXB066085
660	934	555	1573	833	574	180	164	24,75	163,70	WGOXB066093
660	1016	555	1716	909	656	180	164	27,00	178,60	WGOXB066101
660	1098	555	1859	985	738	180	246	29,25	193,50	WGOXB066109
660	1180	555	2002	1060	820	180	246	31,50	208,40	WGOXB066118
660	1262	555	2145	1136	902	180	246	33,75	223,30	WGOXB066126
660	1344	555	2288	1212	984	180	246	36,00	238,20	WGOXB066134
660	1426	555	2431	1288	1066	180	246	38,25	253,10	WGOXB066142

Radiators made up of 13 sections and more are delivered in two or more batteries.



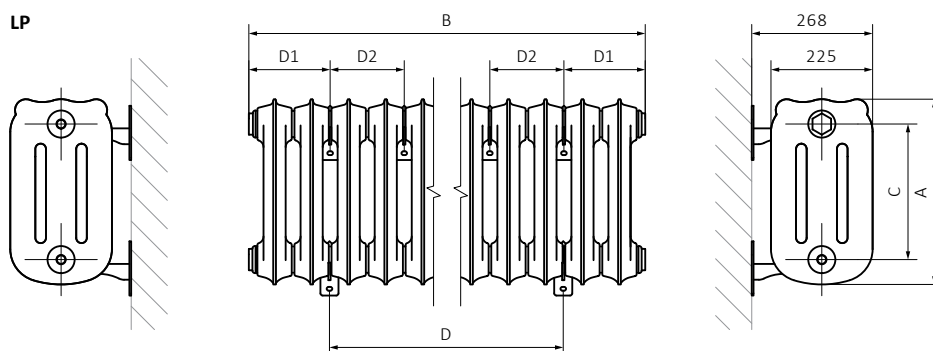
A ↓ [mm]	B ↔ [mm]	C [mm]	75/65/20°C [W]	55/45/20°C [W]	D [mm]	D1 [mm]	D2 [mm]	H [dm ³]	Weight [kg]	Product code <small>(Configuration code p. 8)</small>
Free standing										
470	80	297	86	44	—	—	—	1,65	8,7	WGOXF047008
470	278	297	257	133	—	—	—	4,95	25,9	WGOXF047027
470	360	297	343	177	—	—	—	6,60	34,0	WGOXF047036
470	442	297	429	222	—	—	—	8,25	42,1	WGOXF047044
470	524	297	515	266	—	—	—	9,90	50,2	WGOXF047052
470	606	297	601	310	—	—	—	11,55	58,3	WGOXF047060
470	688	297	686	355	—	—	—	13,20	66,4	WGOXF047068
470	770	297	772	399	—	—	—	14,85	74,5	WGOXF047077
470	852	297	858	443	—	—	—	16,50	82,6	WGOXF047085
470	934	297	944	488	—	—	—	18,15	90,7	WGOXF047093
470	1016	297	1030	532	—	—	—	19,80	98,8	WGOXF047101
470	1098	297	1115	577	—	—	—	21,45	107,5	WGOXF047109
470	1180	297	1201	621	—	—	—	23,10	116,2	WGOXF047118
470	1262	297	1287	665	—	—	—	24,75	115,6	WGOXF047126
470	1344	297	1373	710	—	—	—	26,40	132,4	WGOXF047134
470	1426	297	1459	754	—	—	—	28,05	139,9	WGOXF047142
710	80	555	143	76	—	—	—	2,25	15,3	WGOXF071008
710	278	555	429	227	—	—	—	6,75	45,7	WGOXF071027
710	360	555	572	303	—	—	—	9,00	60,4	WGOXF071036
710	442	555	715	379	—	—	—	11,25	75,1	WGOXF071044
710	524	555	858	454	—	—	—	13,50	89,8	WGOXF071052
710	606	555	1001	530	—	—	—	15,75	104,5	WGOXF071060
710	688	555	1144	606	—	—	—	18,00	119,2	WGOXF071068
710	770	555	1287	682	—	—	—	20,25	133,9	WGOXF071077
710	852	555	1430	757	—	—	—	22,50	148,6	WGOXF071085
710	934	555	1573	833	—	—	—	24,75	163,3	WGOXF071093
710	1016	555	1716	909	—	—	—	27,00	178,0	WGOXF071101
710	1098	555	1859	985	—	—	—	29,25	193,3	WGOXF071109
710	1180	555	2002	1060	—	—	—	31,50	208,6	WGOXF071118
710	1262	555	2145	1136	—	—	—	33,75	208,0	WGOXF071126
710	1344	555	2288	1212	—	—	—	36,00	238,0	WGOXF071134
710	1426	555	2431	1288	—	—	—	38,25	252,1	WGOXF071142

Radiators made up of 13 sections and more are delivered in two or more batteries.

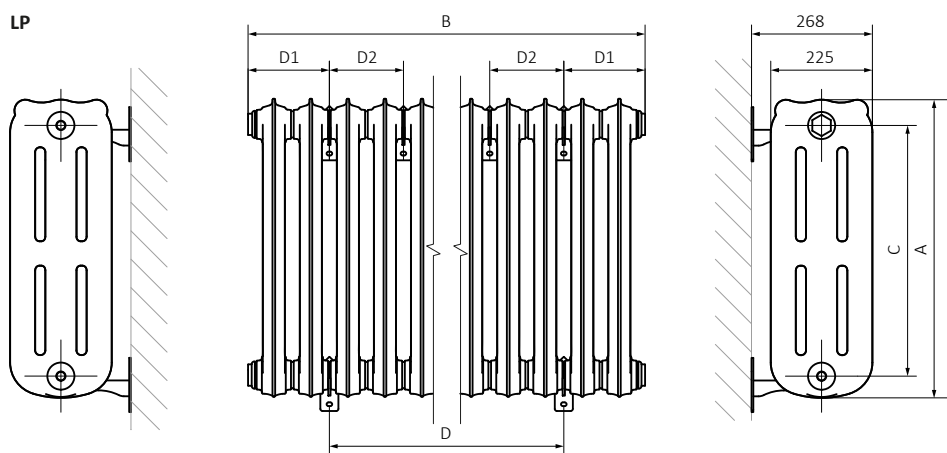


Wall mounted

LP



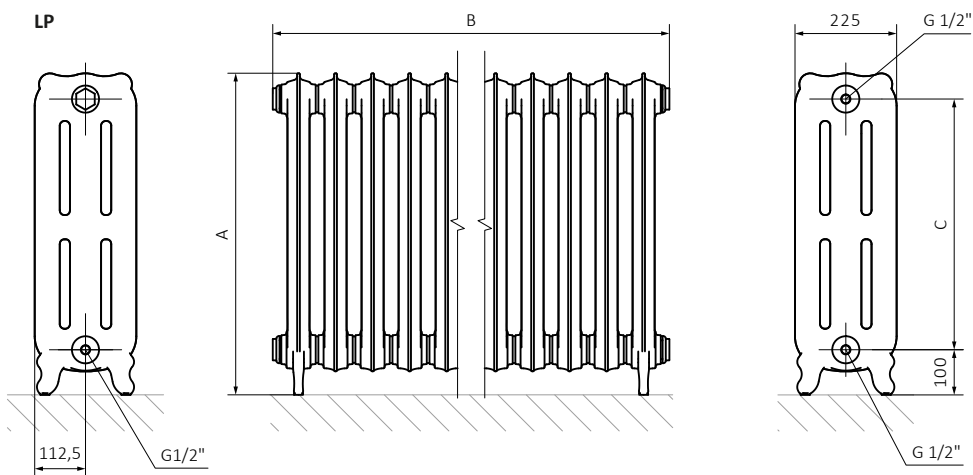
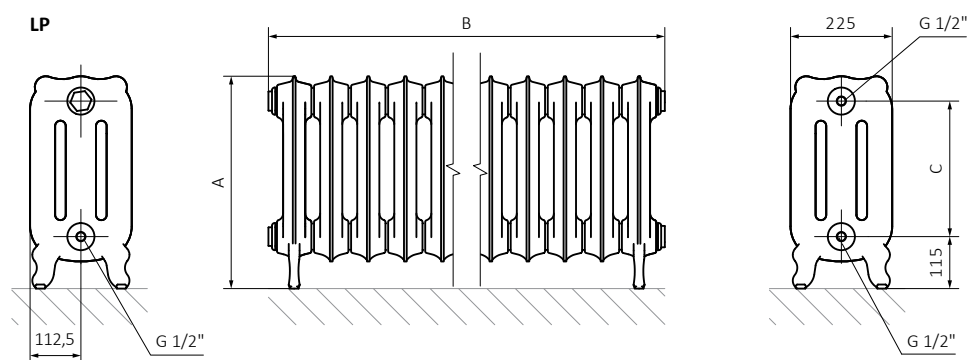
LP



A – Height B – Width C – Distance between pipe centres D – Horizontal distance between mounting bracket centres



Free standing





Structure of configuration code for water and dual fuel radiators

Product codes can be found in product data sheet tables. The codes provide some basic information about the product while a partially filled configuration code contains complementary information about the detailed specifications. When placing an order, product codes should include the fully completed configuration part. The configuration code part should be placed after the main product code. The main product code and configuration part will appear as shown in the example below:

Code structure

WGOXF071077

PRODUCT CODE
(located in the table for the product)

L916LP

CONFIGURATION CODE
(supplemented by hand)

Configuration

