

900X500MM



1200X500MM



1600X500MM



Radiator Specification

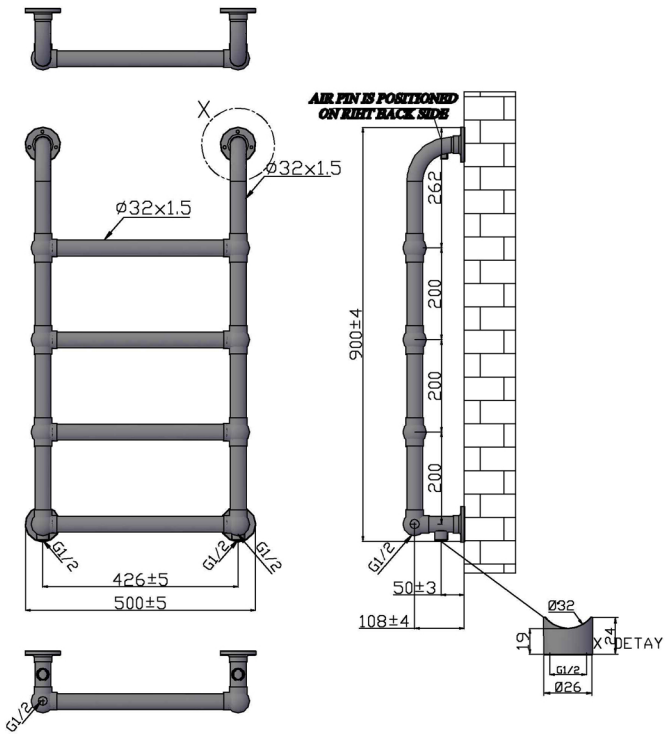
- Material: Steel
- Warranty: 10 Year Manufacture
- Product tested in accordance with EN442
- Connections: ½"
- Max working pressure: 10 bar

Features and Benefits

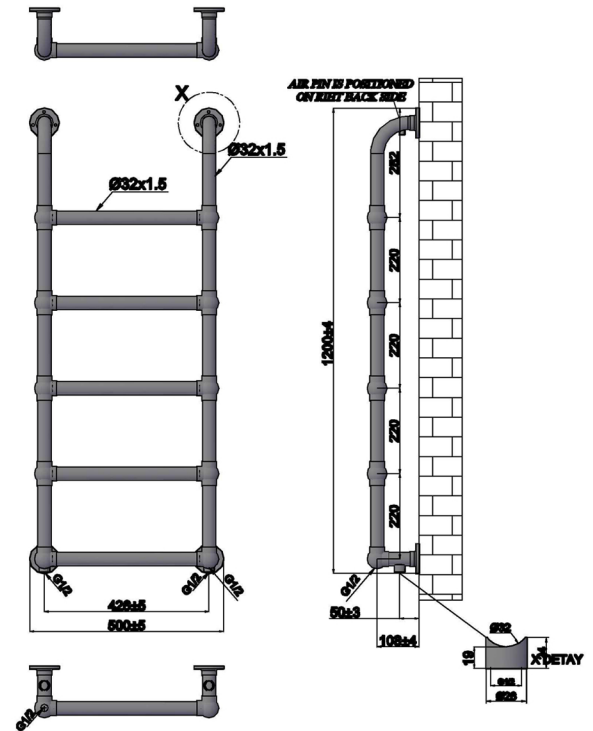
- Designed to combine functionality with beauty
- Creates the perfect finishing touch to any bathroom
- Well-spaced bars for practical use
- Available in dual fuel option

Product Code New	Finish	Height (mm)	Length (mm)	Depth (mm)	Pipe Centres	Output (Watts)	Output (BTUs)
128037	Chrome	900	500	108	426	178	607
128038	Chrome	1200	500	108	426	222	757
128039	Chrome	1600	108	426	285	972	

900X500MM



1200X500MM



1600X500MM

