

# Ouse



colour included  
in the price



**TERMA**

SINCE 1990



**Ouse** 1437↓ × 500↔ ZX  
colour: Brushed Nickel

2 x Angled lockshield valve, chrome  
SLIM thermostatic head, chrome  
Integrated pipe-masking set, chrome



**TERMA**

SINCE 1990





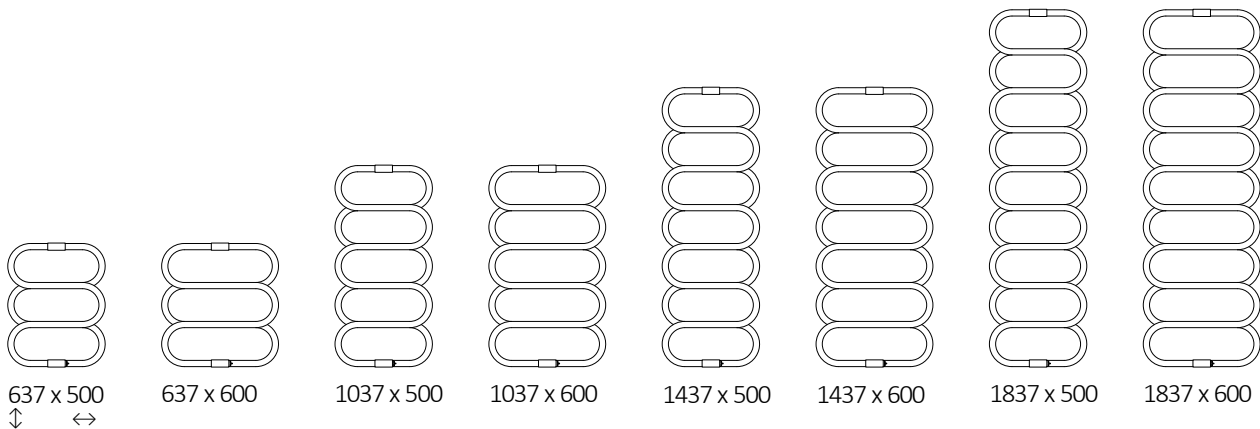
colour included  
in the price

Design: Terma

## Standard connection:



## Available sizes:



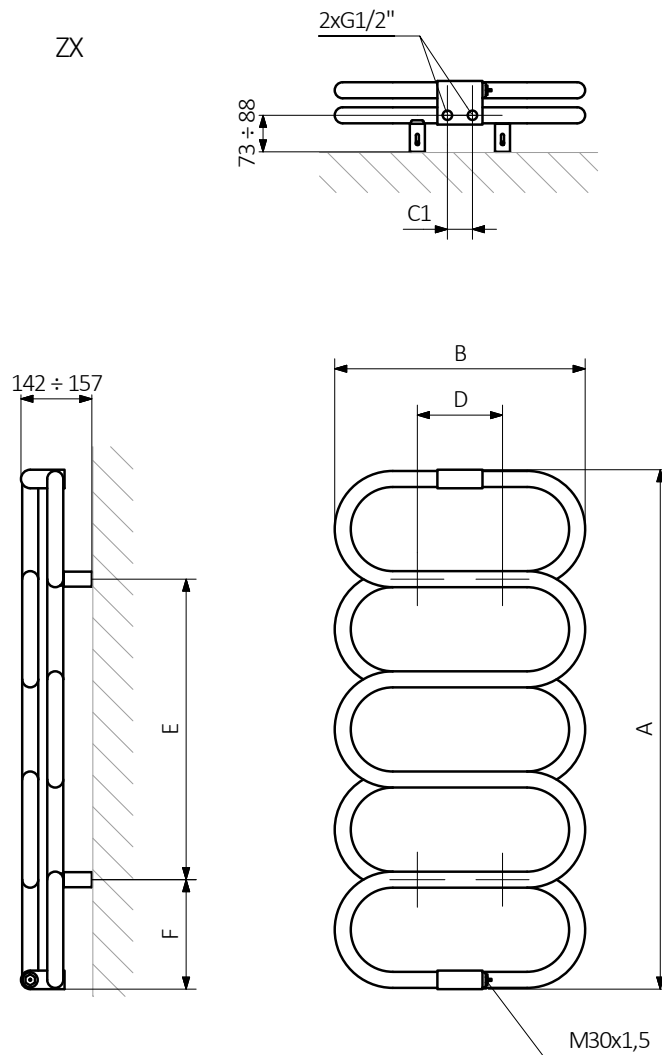
## Specification:

Working pressure: 1000 kPa Maximum operating temperature: 95°C

A ↓ [mm]	B ↔ [mm]	C1 [mm]	75/65/20°C [W]	55/45/20°C [W]	D [mm]	E [mm]	F [mm]	H [dm³]	⚖️ [kg]	Product code <a href="#">Configuration code p. 5</a>
<b>Paint</b>										
637	500	50	250	135	170	200	218,5	2,04	8,08	WGQ06063050
637	600	50	290	157	270	200	218,5	2,41	9,00	WGQ06063060
1037	500	50	405	218	170	600	218,5	3,47	11,63	WGQ06103050
1037	600	50	470	253	270	600	218,5	4,09	13,15	WGQ06103060
1437	500	50	570	305	170	1000	218,5	4,91	15,17	WGQ06143050
1437	600	50	663	355	270	1000	218,5	5,77	17,30	WGQ06143060
1837	500	50	737	393	170	1400	218,5	6,35	18,74	WGQ06183050
1837	600	50	857	457	270	1400	218,5	7,34	21,17	WGQ06183060
<b>Plated</b>										
637	500	50	175	89	170	200	218,5	2,04	7,93	WGQ06063050
637	600	50	203	104	270	200	218,5	2,41	8,82	WGQ06063060
1037	500	50	284	145	170	600	218,5	3,47	11,38	WGQ06103050
1037	600	50	329	168	270	600	218,5	4,09	12,86	WGQ06103060
1437	500	50	399	203	170	1000	218,5	4,91	14,83	WGQ06143050
1437	600	50	464	237	270	1000	218,5	5,77	16,90	WGQ06143060
1837	500	50	516	263	170	1400	218,5	6,35	18,30	WGQ06183050
1837	600	50	600	306	270	1400	218,5	7,34	20,67	WGQ06183060

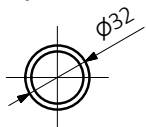


## Technical drawing:



A – Height B – Width C1-C5 – Distance between pipe centres D – Horizontal distance between mounting bracket centres  
E – Vertical distance between mounting brackets F – Distance between a mounting bracket and the bottom of the radiator

**Pipe:**





colour included  
in the price

In the table with technical data, the last column lists product codes. When placing an order, please remember to quote the product code followed by the configuration code as shown in the diagram below:

## The construction of a water and dual fuel radiator product and configuration code:

WGQ06063050

K916ZX

PRODUCT CODE

(located in the table for the product)

CONFIGURATION CODE

(supplemented by hand)

### Example Configuration

K 916 ZX

Package code

*K - carton box*

Colour code

Connection code

## Epoxy primer

E - Code of epoxy primer is an extra processes.

WGQ06063050 K916ZX **E** — *Extraprocesses or additions code*



colour included  
in the price

## Legend



Radiator available in a "water" version.



Radiator suitable for dual fuel connection. Electric heating element can be installed.



Radiator available in electric only version. It comes prefilled with a 'heating medium' and equipped with a heating element. All tested and ready to use.



Connection types dedicated for this radiator. The icon shows the flow and return connections for the radiator as well as the thermostatic valve and heating element position if applicable.



Suggested heating element power output for electric and dual fuel versions.



Weight.



Capacity.



Available in chrome finish.



colour  
included  
in the price

No additional payment for a color.