



 colour included  
in the price



**Harley** 1200↓ × 500⇔ SX  
colour: RAL 5012

3-axis thermostatic valve set, left, chrome  
Pipe-masking set, chrome





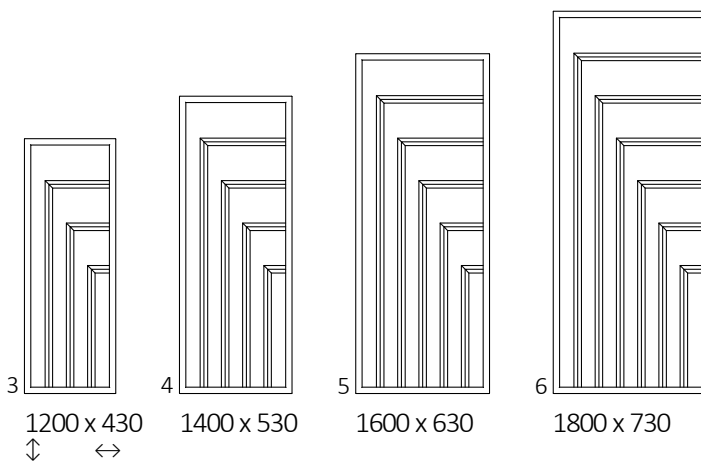
colour included  
in the price

Design: *Terma*

## Standard connections:






## Available sizes:



## Specification:

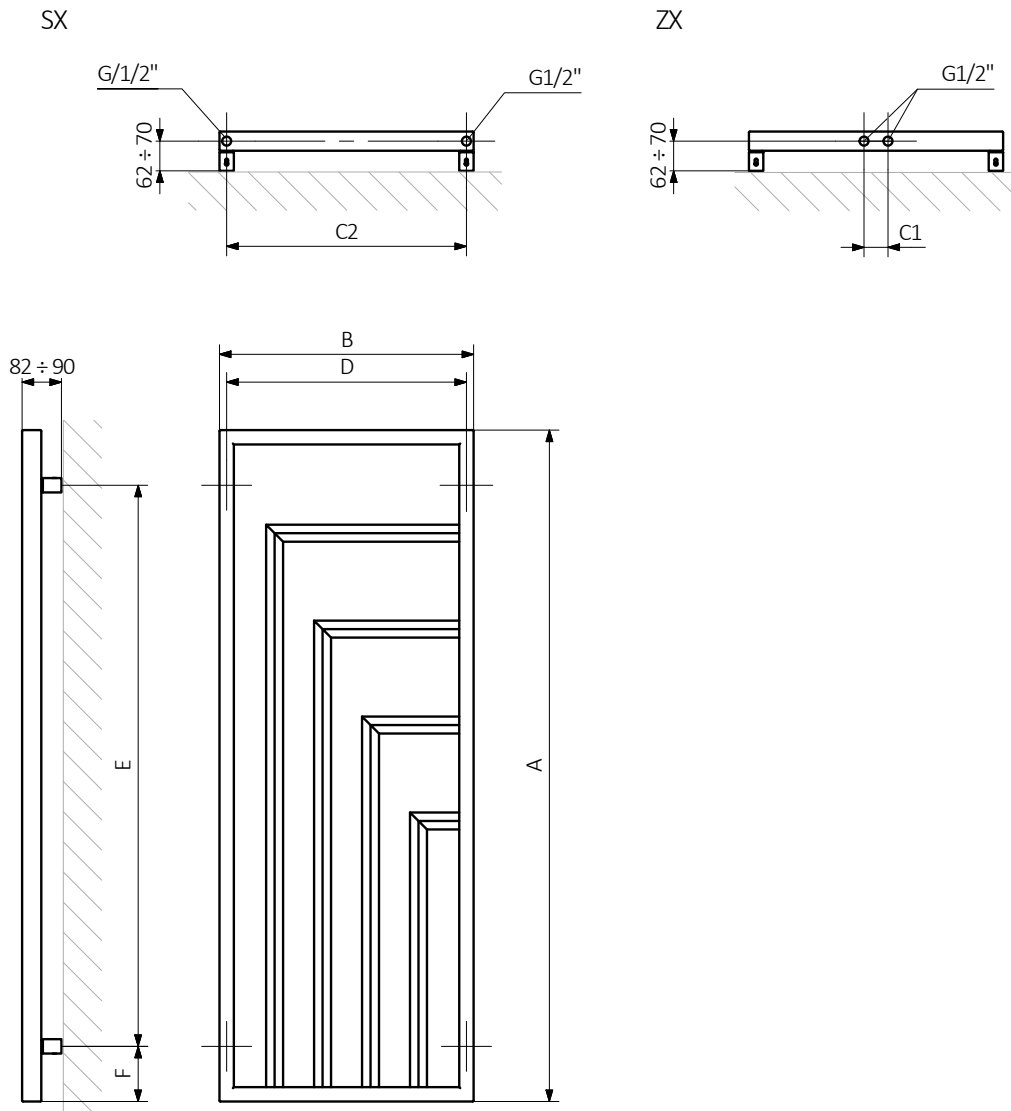
Working pressure: 800 kPa    Maximum operating temperature: 95°C

| A ↓<br>[mm] | B ↔<br>[mm] | C2<br>[mm] | 75/65/20°C<br>[W] | 55/45/20°C<br>[W] | <br>[W] | D<br>[mm] | E<br>[mm] | F<br>[mm] | <br>[dm³] | <br>[kg] | Product code<br><small>Configuration code p. 5</small> |
|-------------|-------------|------------|-------------------|-------------------|--|-----------|-----------|-----------|--|---|--|
| 1200        | 430         | 400        | 380               | 205               | 400  | 400       | 970       | 115       | 4,56   | 8,36  | WGQ10048040  |
| 1400        | 530         | 500        | 522               | 281               | 600  | 500       | 1170      | 115       | 5,93   | 11,09   | WGQ10048050  |
| 1600        | 630         | 600        | 679               | 364               | 800  | 600       | 1370      | 115       | 7,43   | 14,14   | WGQ10048060  |
| 1800        | 730         | 700        | 857               | 458               | 800  | 700       | 1570      | 115       | 9,09   | 17,54   | WGQ10084040  |



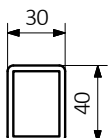
colour included  
in the price

## Technical drawing:

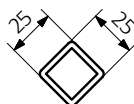


A – Height B – Width C1-C5 – Distance between pipe centres D – Horizontal distance between mounting bracket centres  
E – Vertical distance between mounting brackets F – Distance between a mounting bracket and the bottom of the radiator

**Collector:**



**Pipe:**





In the table with technical data, the last column lists product codes. When placing an order, please remember to quote the product code followed by the configuration code as shown in the diagram below:

## The construction of a water and dual fuel radiator product and configuration code:

WGQ10048040

K916SX

PRODUCT CODE  
(located in the table for the product)

CONFIGURATION CODE  
(supplemented by hand)

### Example Configuration

K 916 SX

Package code

Colour code

Connection code


*K - carton box*

## Epoxy primer

E - Code of epoxy primer is an extra processes.

WGQ10048040 K916SX E — *Extraprocesses or additions code*



 colour included in the price

## Legend



Radiator available in a "water" version.



Radiator suitable for dual fuel connection. Electric heating element can be installed.



Radiator available in electric only version. It comes prefilled with a 'heating medium' and equipped with a heating element. All tested and ready to use.



Connection types dedicated for this radiator. The icon shows the flow and return connections for the radiator as well as the thermostatic valve and heating element position if applicable.



Suggested heating element power output for electric and dual fuel versions.



Weight.



Capacity.



Available in chrome finish.



No additional payment for a color.