

Crystal



colour included
in the price



Crystal 1200↑ × 500↔ SX
colour: RAL 7034

Angled integrated thermostatic valve set with immersion tube, right, chrome
Integrated pipe-masking set, chrome
MOA BLE heating element, chrome



colour included
in the price

Design: Terma

Standard connections:

A \updownarrow 480÷1920:



A \updownarrow 1560÷1920:




Specification:

Working pressure: 1000 kPa Maximum operating temperature: 95°C

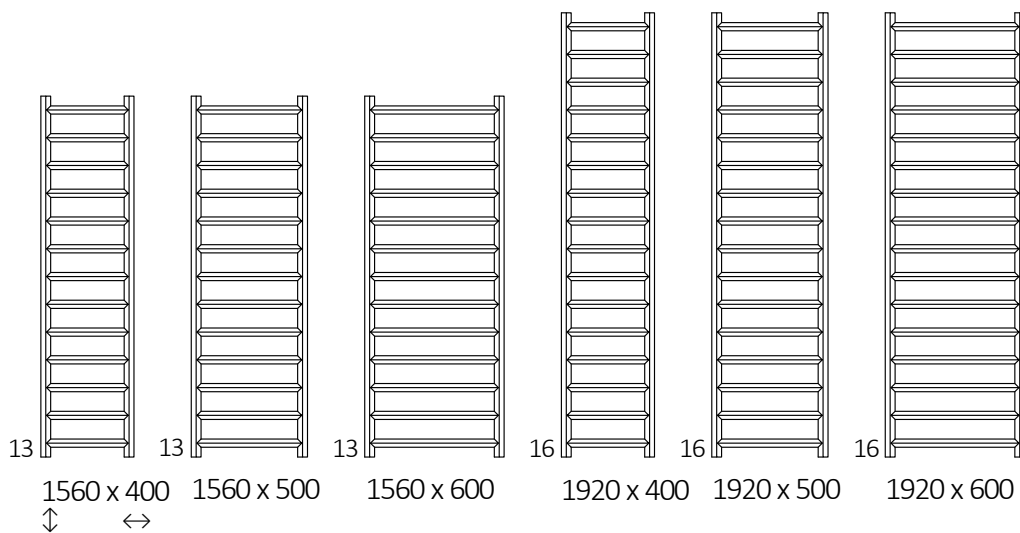
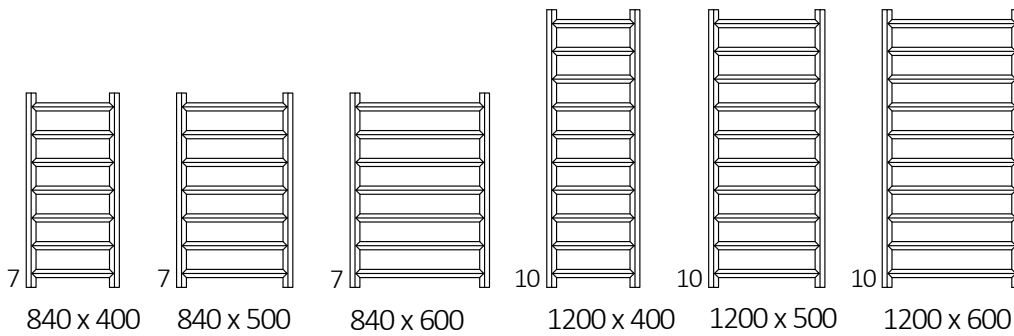
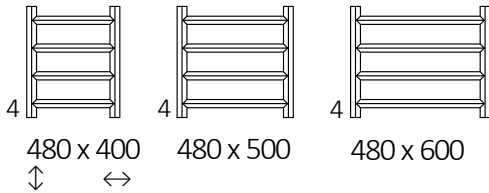
A \updownarrow [mm]	B \leftrightarrow [mm]	C2 [mm]	75/65/20°C [W]	55/45/20°C [W]	[W]	D [mm]	E [mm]	F [mm]	[dm³]	[kg]	Product code <small>Configuration code p. 6</small>
480	400	360	135	73	120	360	240	120	1,35	3,0	WGQ10048040
480	500	460	158	86	120	460	240	120	1,54	3,4	WGQ10048050
480	600	560	181	98	200	560	240	120	1,74	3,89	WGQ10048060
840	400	360	236	128	200	360	600	120	2,36	5,07	WGQ10084040
840	500	460	276	149	300	460	600	120	2,70	5,85	WGQ10084050
840	600	560	316	171	300	560	600	120	3,04	6,63	WGQ10084060
1200	400	360	342	185	400	360	960	120	3,37	7,14	WGQ10120040
1200	500	460	400	216	400	460	960	120	3,86	8,25	WGQ10120050
1200	600	560	458	247	400	560	960	120	4,34	9,36	WGQ10120060
1560	400	360	445	239	400	360	1320	120	4,39	9,21	WGQ10156040
1560	500	460	521	279	600	460	1320	120	5,01	10,66	WGQ10156050
1560	600	560	595	319	600	560	1320	120	5,64	12,10	WGQ10156060
1920	400	360	548	294	600	360	1680	120	5,40	11,28	WGQ10192040
1920	500	460	641	344	600	460	1680	120	6,17	13,06	WGQ10192050
1920	600	560	732	393	800	560	1680	120	6,94	14,84	WGQ10192060

Crystal



 colour included
in the price

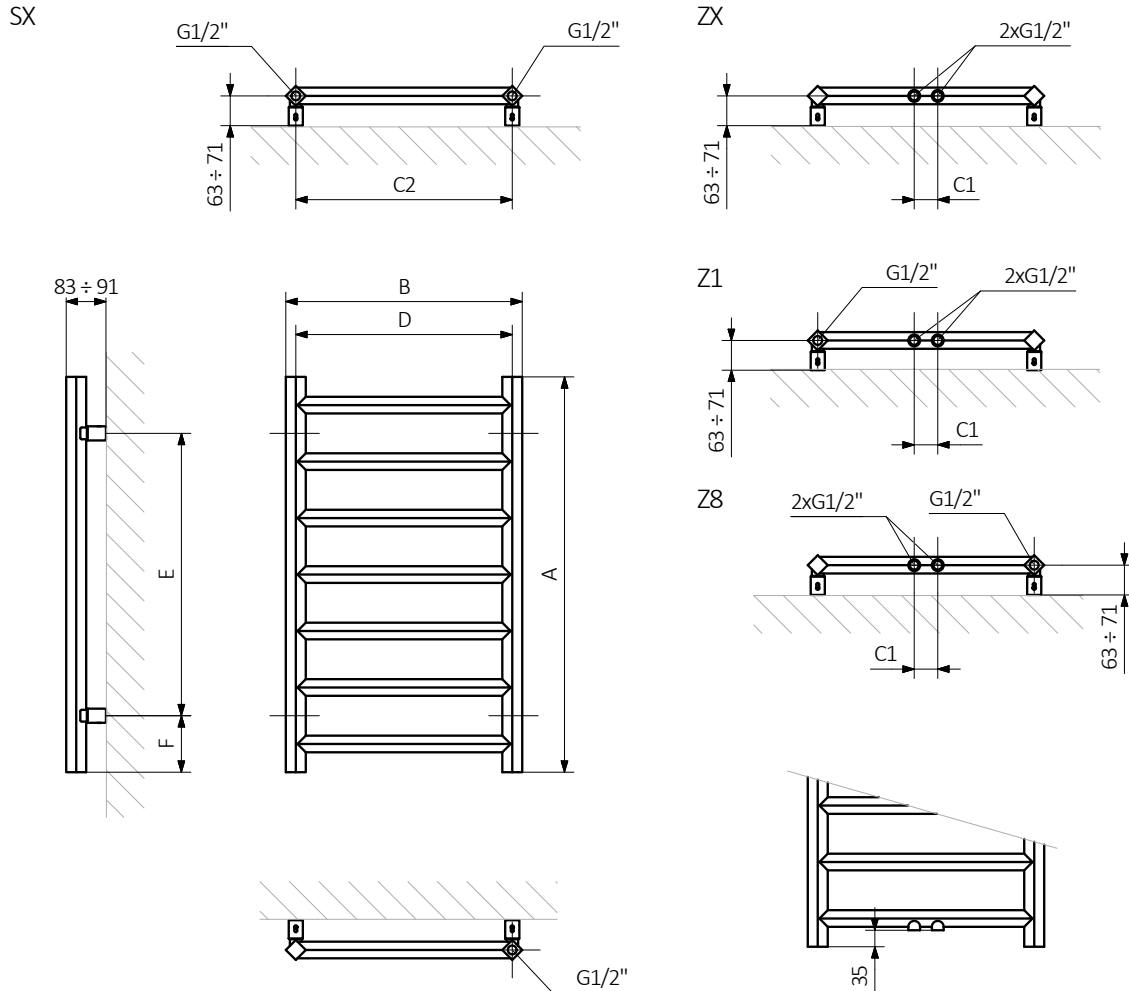
Available sizes:





colour included
in the price

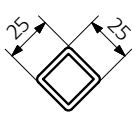
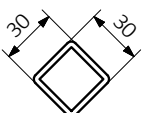
Technical drawing:



A – Height B – Width C1-C5 – Distance between pipe centres D – Horizontal distance between mounting bracket centres
E – Vertical distance between mounting brackets F – Distance between a mounting bracket and the bottom of the radiator

Collector:

Pipe:





In the table with technical data, the last column lists product codes. When placing an order, please remember to quote the product code followed by the configuration code as shown in the diagram below:

The construction of a water and dual fuel radiator product and configuration code:

WGQ10048040

K916SX

PRODUCT CODE

(located in the table for the product)

CONFIGURATION CODE

(supplemented by hand)

Example Configuration

K 916 SX

Package code

K - carton box

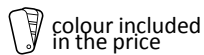
Colour code

Connection code

Epoxy primer

E - Code of epoxy primer is an extra processes.

WGQ10048040 K916SX **E** — *Extraprocesses or additions code*



Legend



Radiator available in a "water" version.



Radiator suitable for dual fuel connection. Electric heating element can be installed.



Radiator available in electric only version. It comes prefilled with a 'heating medium' and equipped with a heating element. All tested and ready to use.



Connection types dedicated for this radiator. The icon shows the flow and return connections for the radiator as well as the thermostatic valve and heating element position if applicable.



Suggested heating element power output for electric and dual fuel versions.



Weight.



Capacity.



Available in chrome finish.



No additional payment for a color.